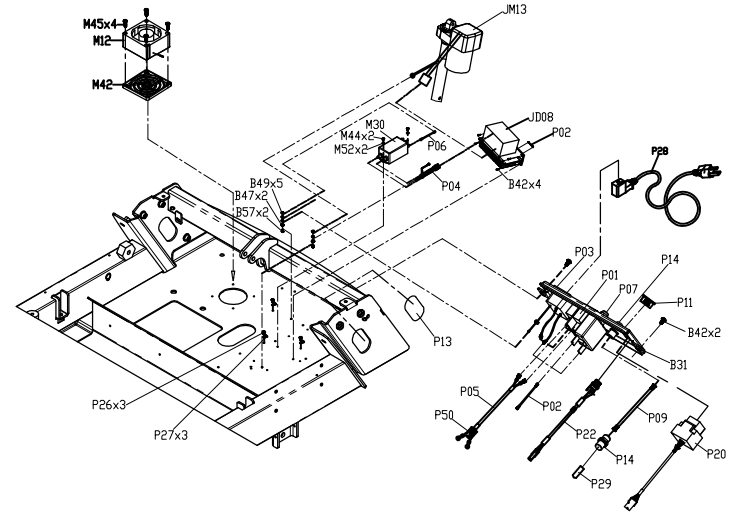
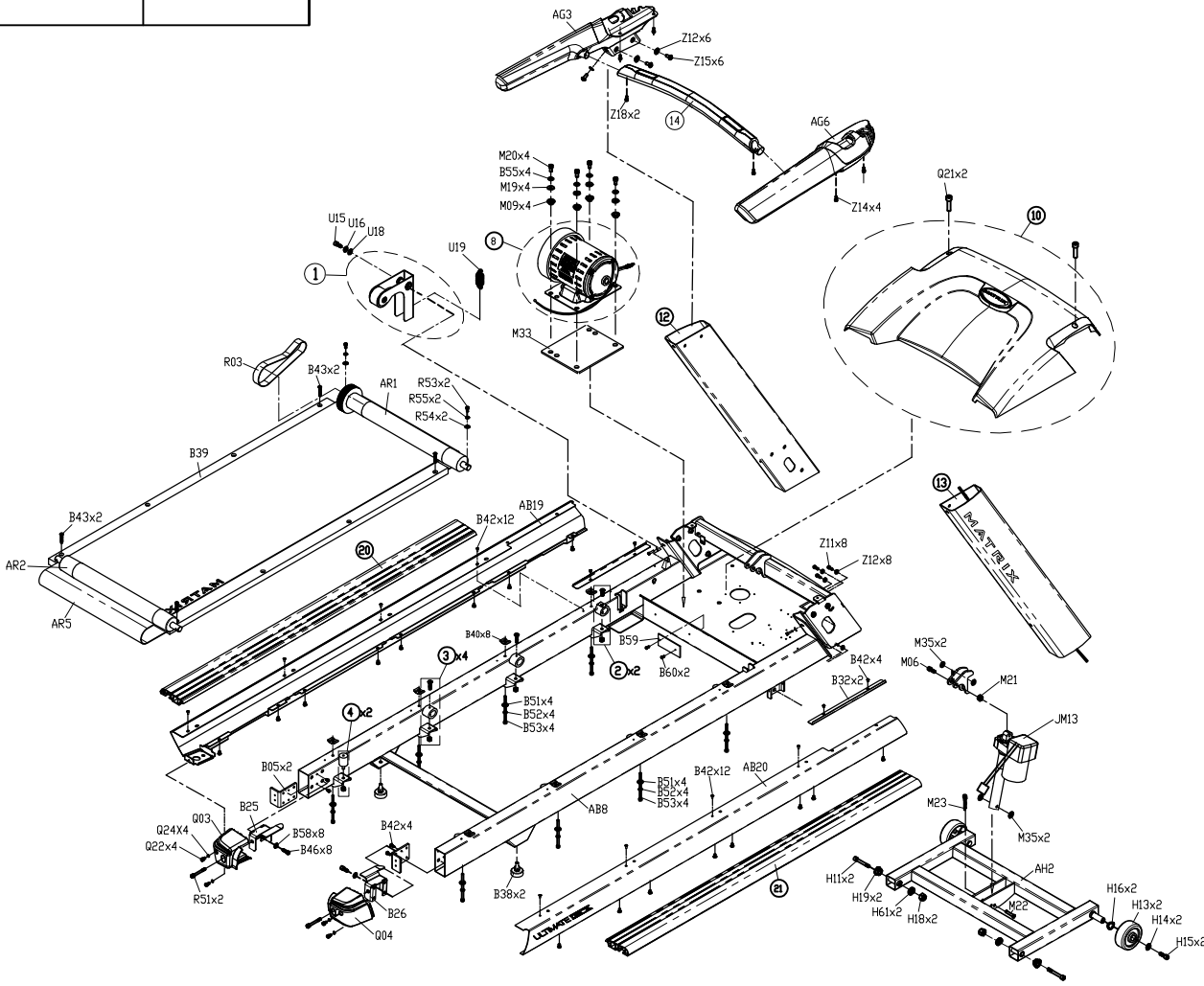
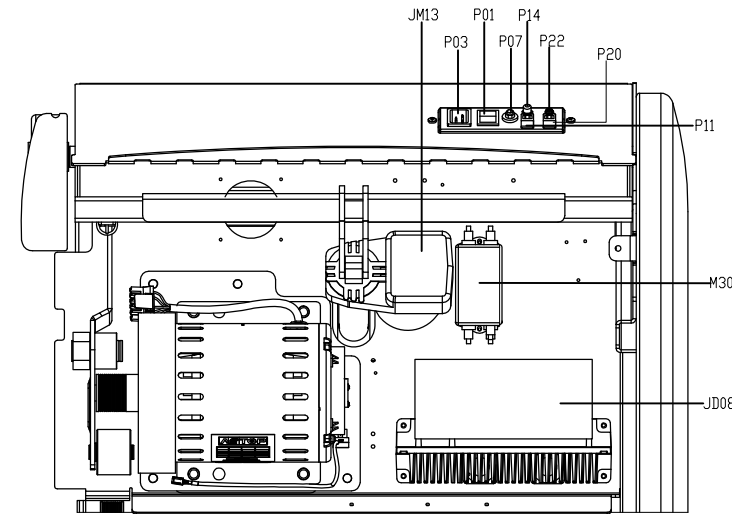


DRAWING NO	TM523-A04
PART NAME	Explosive Rendering
PART NO	1000229083
APPROVE	Kenny
DATE	061812

SAP NO.	Model Name
MTM0312-00	T-3x-04-F/1US

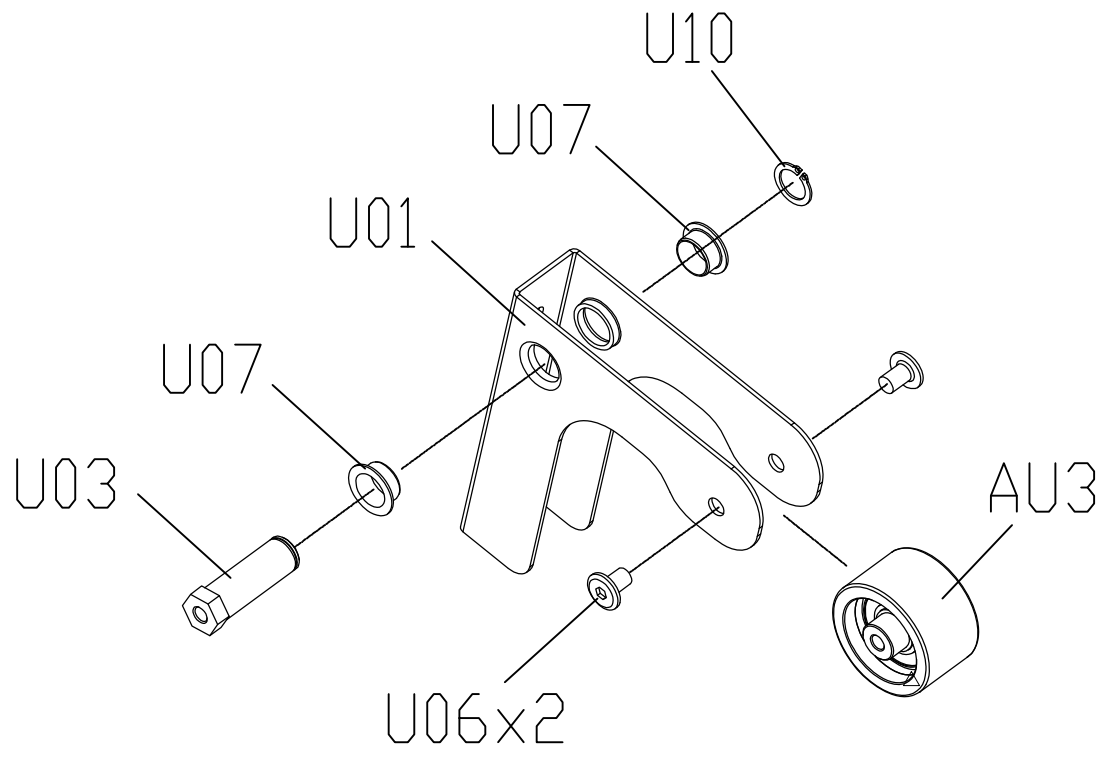


Detail View of Electrical Components

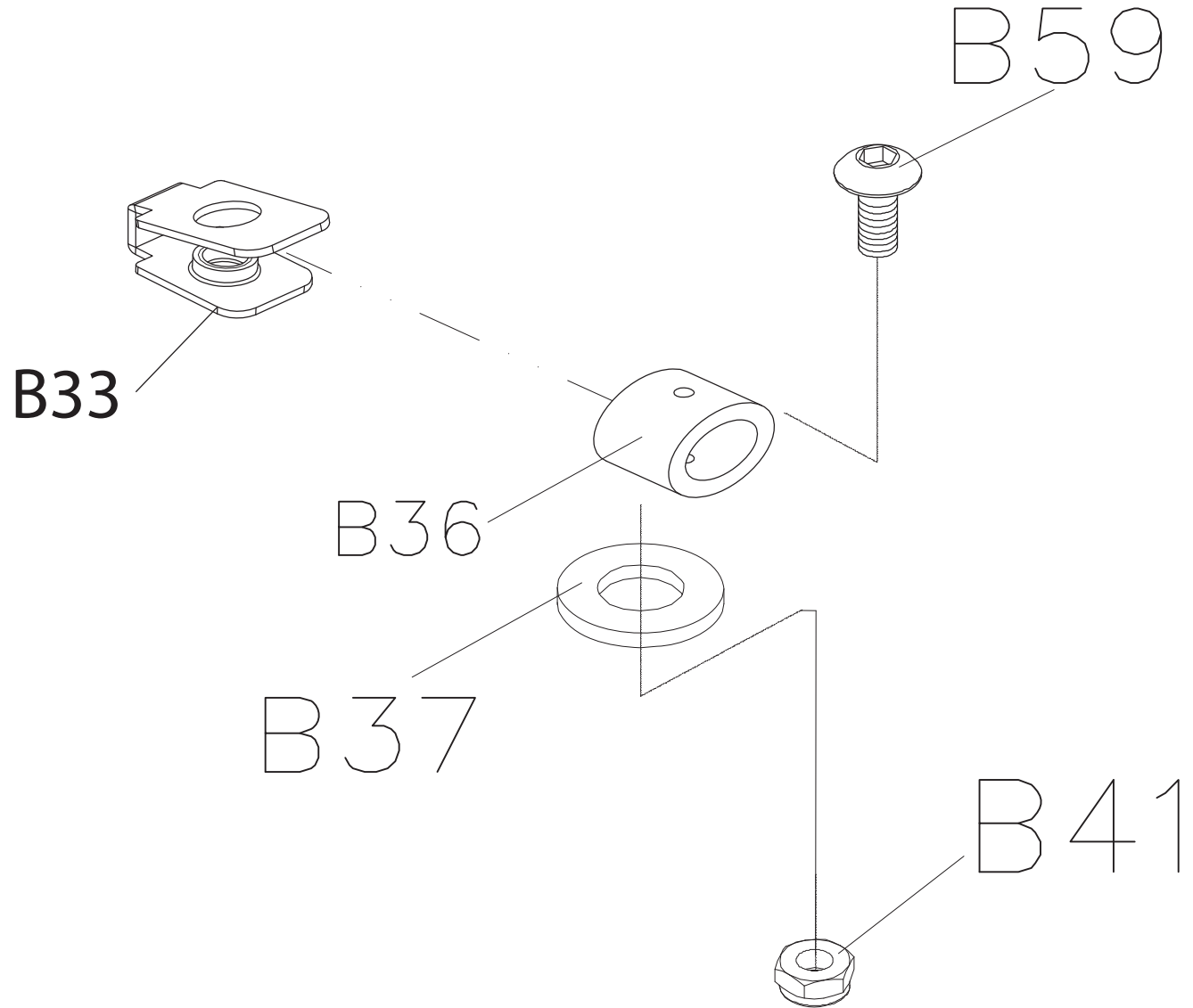


Top View of Electrical Components

DRAWING NO	TM512-AU2		
PART NAME	Fix Plate Set;Idler		
PART NO	0000093522		
APPROVE	SHUYI	DATE	010612

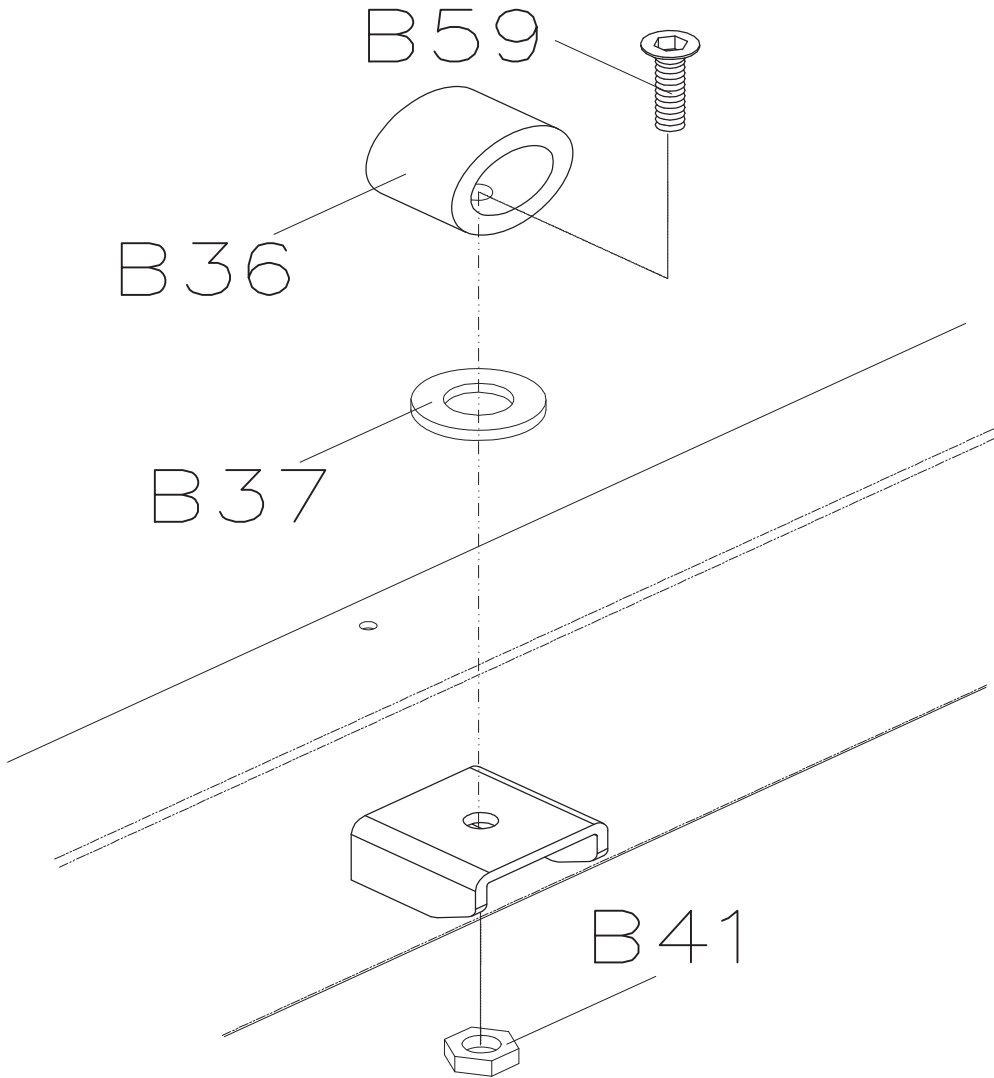


DRAWING NO	TM507-AB20		
PART NAME	Elastomer Set;Running Deck;Front		
PART NO	As Attachment		
APPROVE	S.T.C	DATE	092110

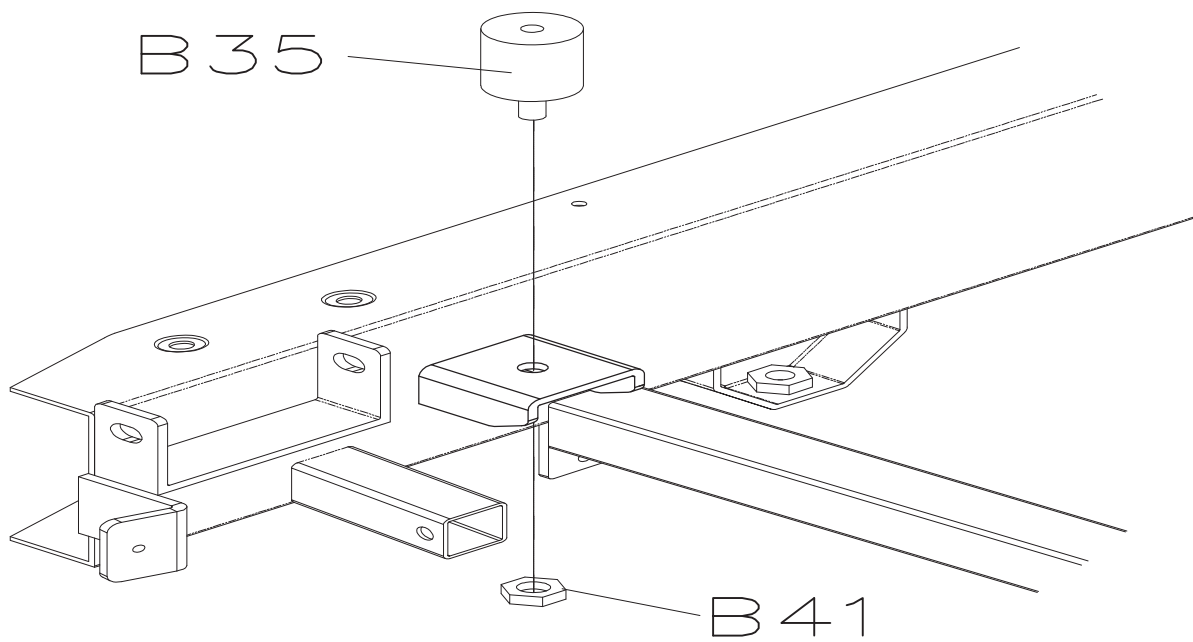


DRAWING NO	TM507-AB21		
PART NAME	Elastomer Set;Running Deck;Middle		
PART NO	As Attachment  C		
APPROVE	S.T.C	DATE	092110

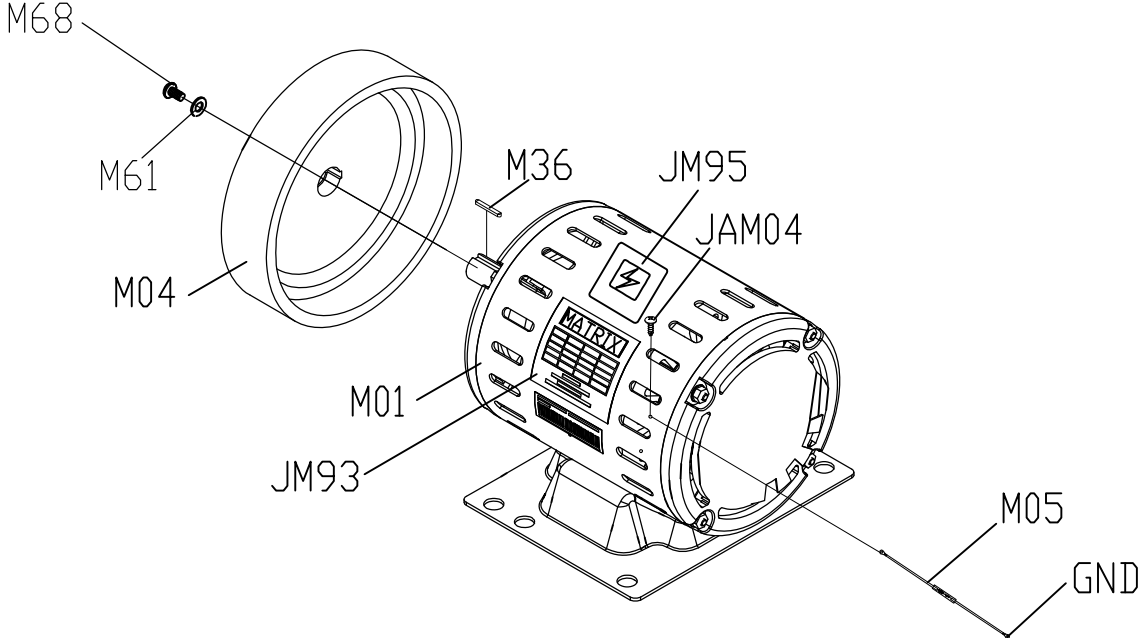
Part No.	Description
0000093039	Miner
0000095662	Nai Ri



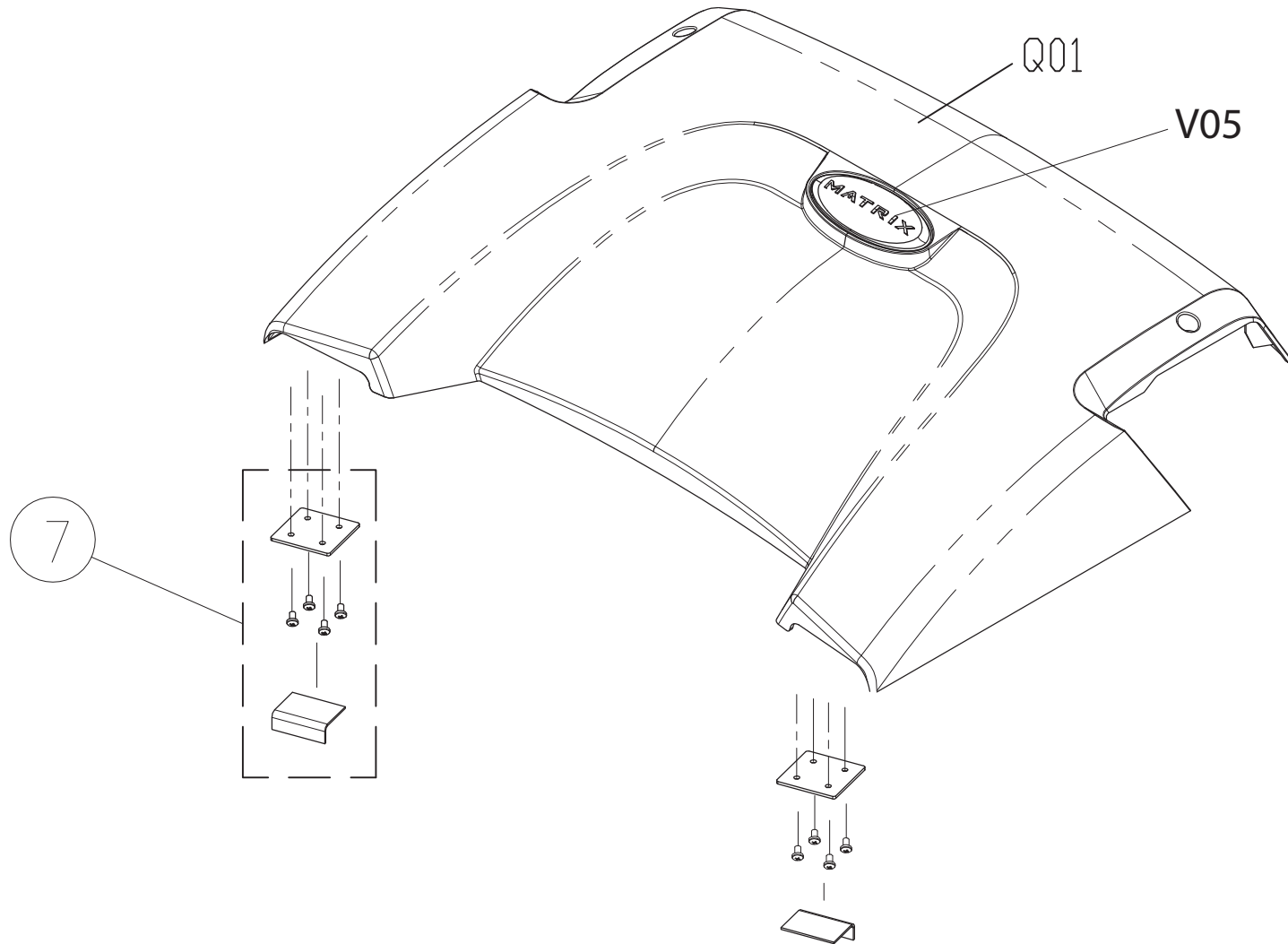
DRAWING NO 圖號	TM507-AB22
PART NAME(CH) 零件名稱(中文)	系愛徑墊組;跑包板;後
PART NAME(EN) 零件名稱(英文)	Elastomer Set;Running Deck;Back
SAP PART NO SAP料號	0000091092 B



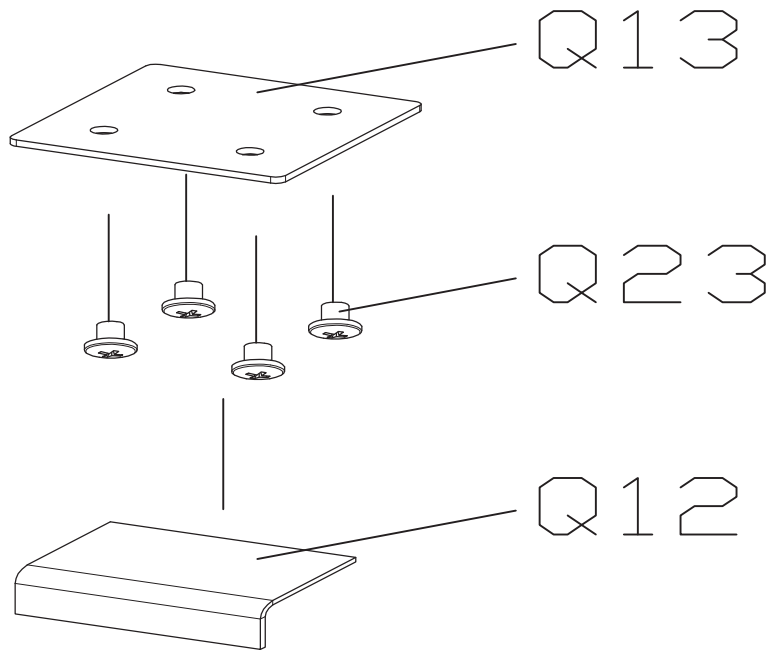
DRAWING NO	TM509B-AM1
PART NAME	Motor Set
PART NO	1000207849
APPROVE	SUNNY
DATE	113011



DRAWING NO	TM507-AQ1
圖號	TM507-AQ1
PART NAME(CH)	馬達上護蓋組
零件名稱(中文)	馬達上護蓋組
PART NAME(EN)	Motor Cover Set
零件名稱(英文)	Motor Cover Set
SAP PART NO	0000091087
SAP料號	0000091087

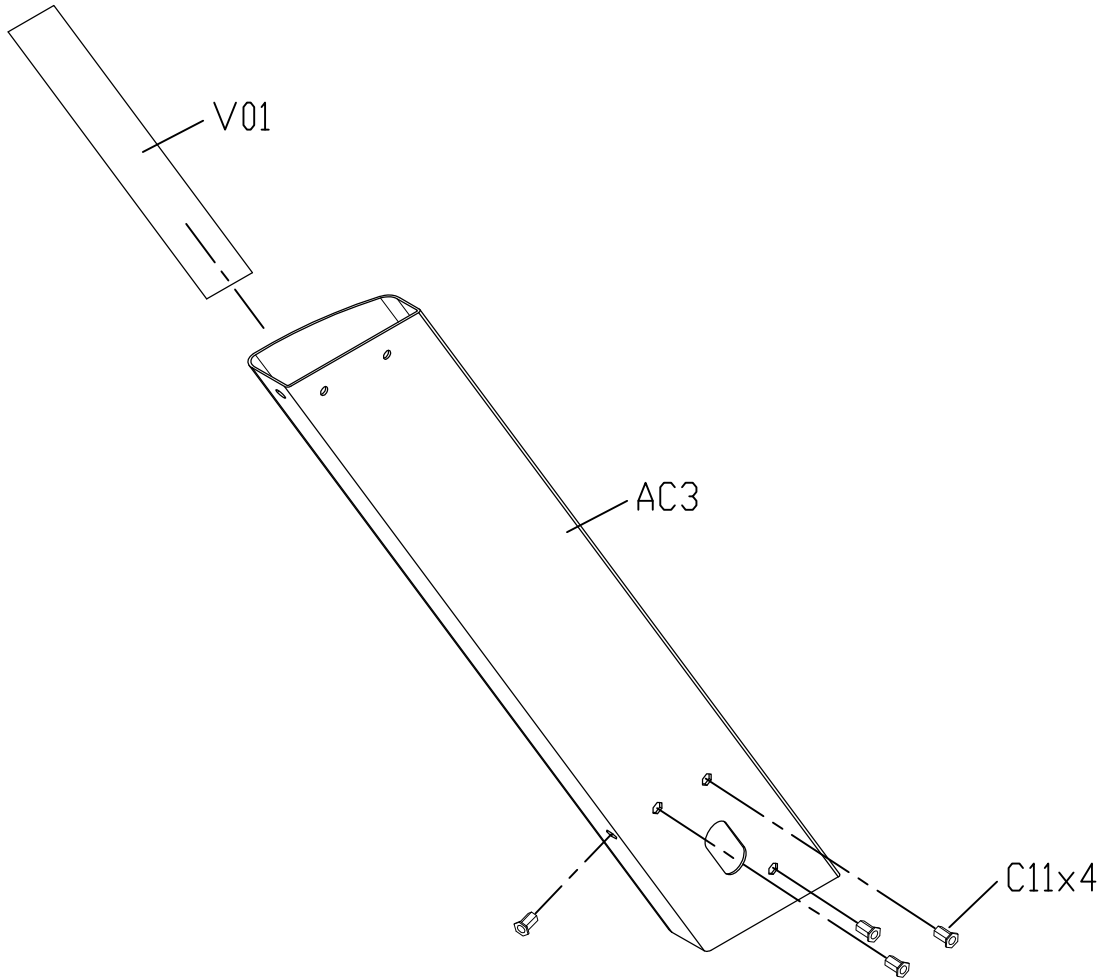


DRAWING NO 圖號	TM507-AQ2
PART NAME(CH) 零件名稱(中文)	魔鬼黏占系組
PART NAME(EN) 零件名稱(英文)	Velcro Set
SAP PART NO SAP料號	0000093024/A

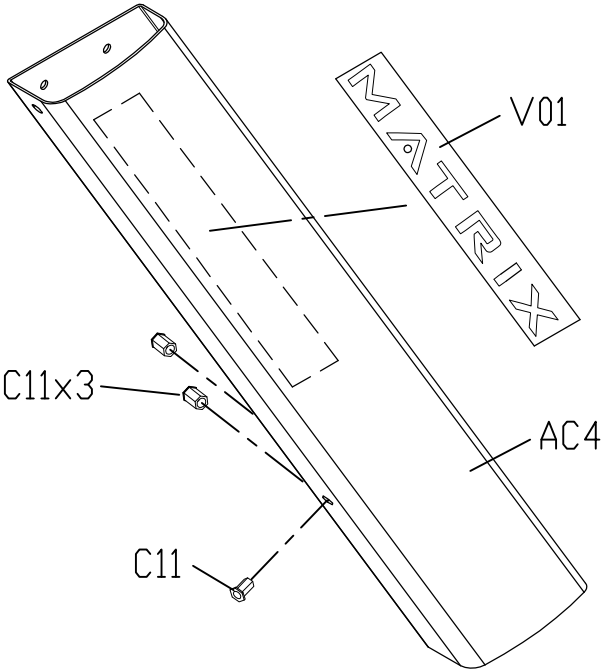




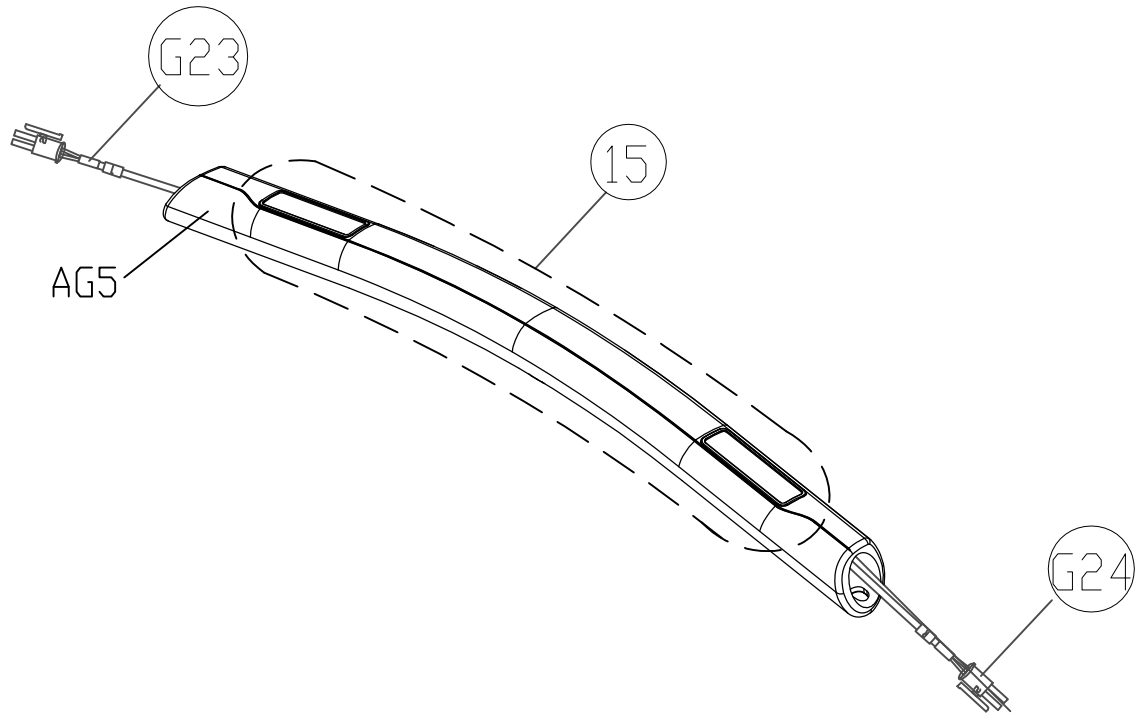
DRAWING NO 圖號	TM507-AC13
PART NAME(CH) 零件名稱(中文)	儀錶架組;左
PART NAME(EN) 零件名稱(英文)	Console Mast Set;Left
SAP PART NO SAP料號	0000087208 A



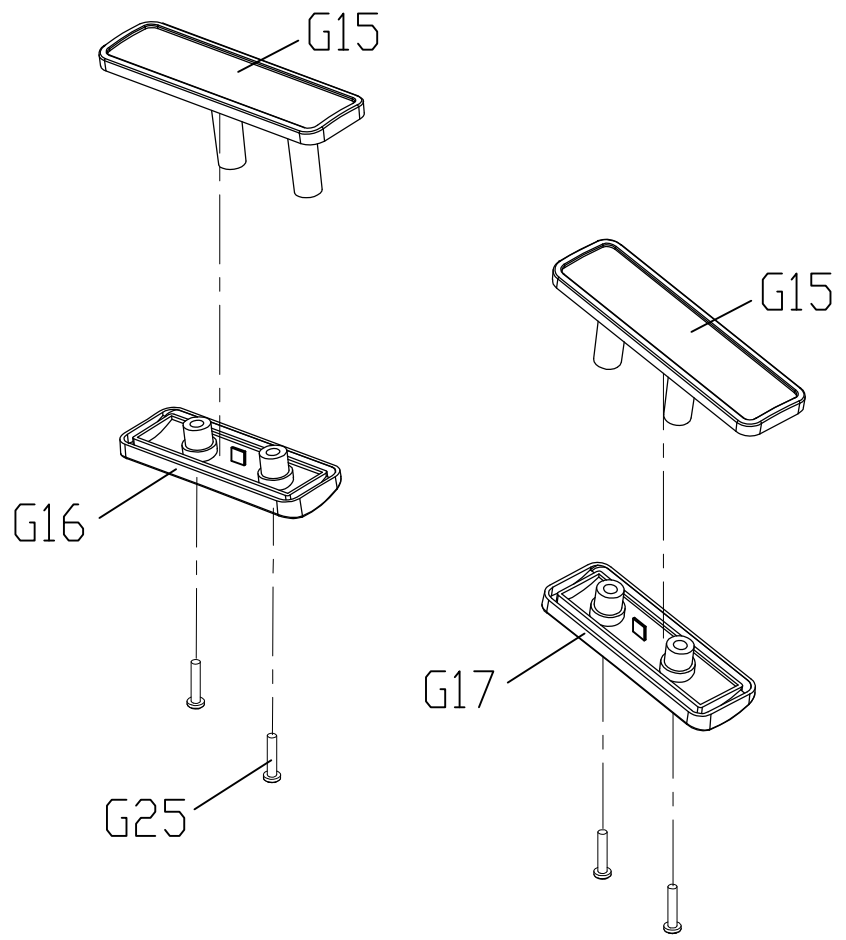
DRAWING NO 圖號	TM507-AC14
PART NAME(CH) 零件名稱(中文)	儀錶木罩組;右
PART NAME(EN) 零件名稱(英文)	Console Mast Set;Right
SAP PART NO SAP料號	0000087204 A



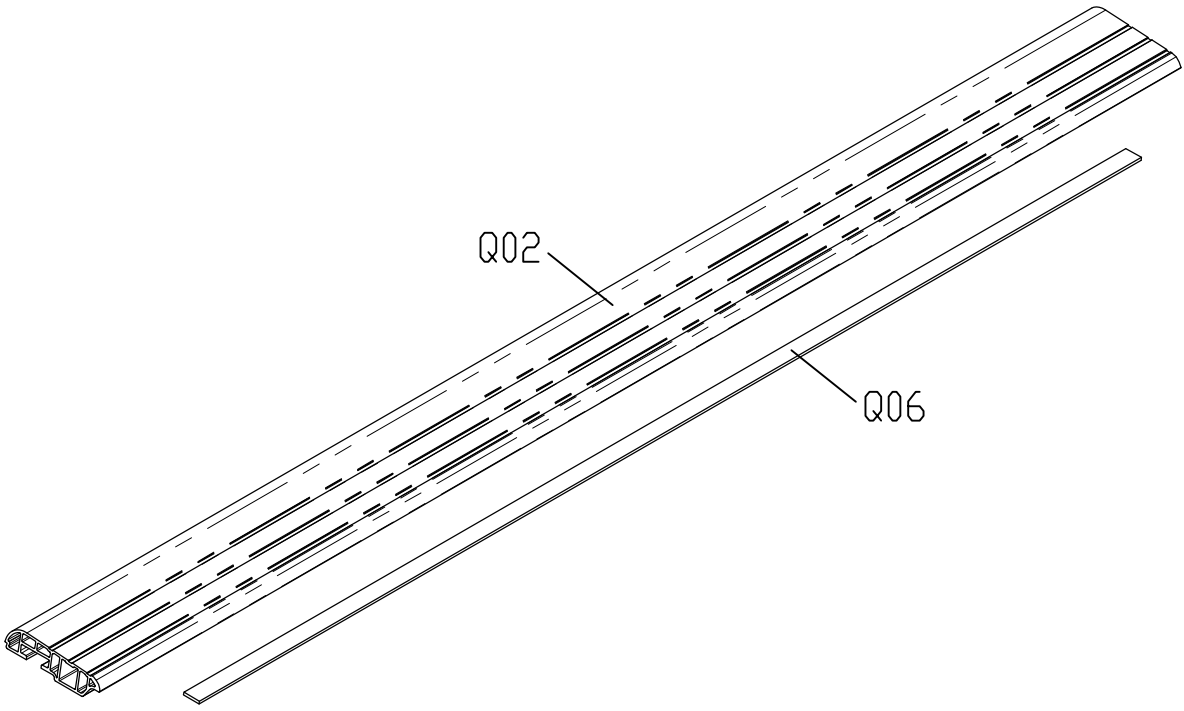
DRAWING NO	TM523-AG15		
PART NAME	Handlebar Set		
PART NO	1000231011 <small>REV</small> B		
APPROVE	SHUYI	DATE	010313



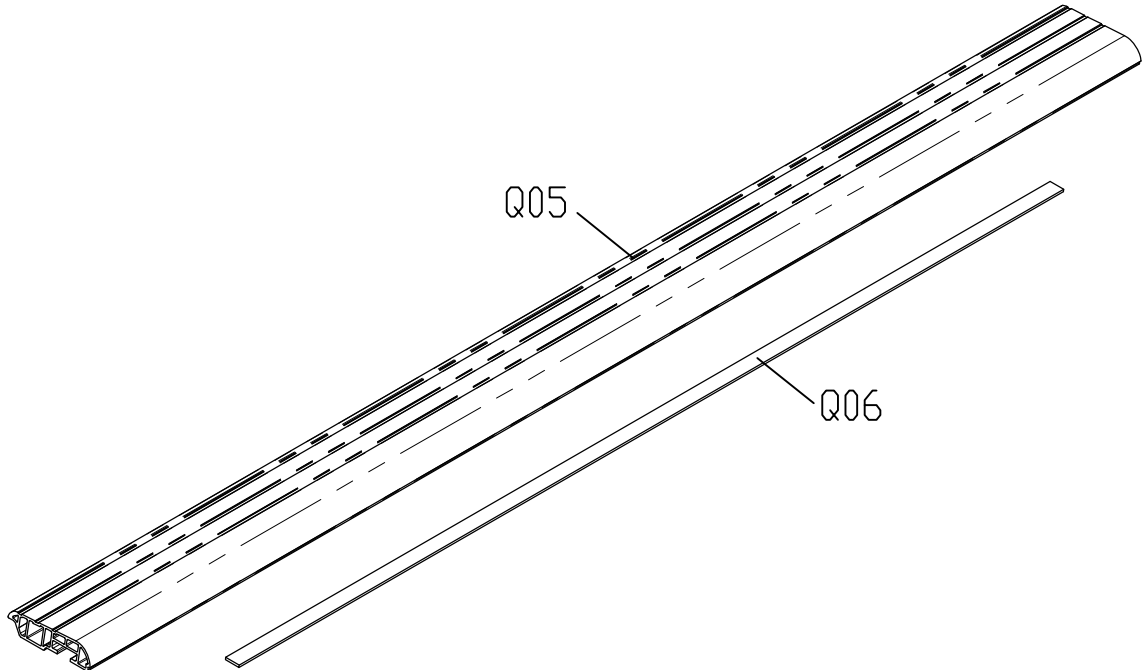
DRAWING NO 圖 號	TM509-AG10
PART NAME(CH) 零件名稱(中文)	握管組;感應器
PART NAME(EN) 零件名稱(英文)	Grip Tube Set;Sensor
SAP PART NO SAP料號	0000093038 A



DRAWING NO	TM523-AQ3		
PART NAME	Side Rail Set;Left		
PART NO	1000229317		B
APPROVE	SHUYI	DATE	010313



DRAWING NO	TM523-AQ4		
PART NAME	Side Rail Set;Right		
PART NO	1000229305		
APPROVE	SHUYI	DATE	010313



Bubble#	OEM Number	Description	Notes
1	0000093522	Idler set Semi-Assy T7000 PRO	
12	0000087208	Console Mast Set Left T1x-F	
13	0000087204	Console Mast Set Right T1x-F	Discontinued
13	0000087204	Console Mast Set Right T1x-F	
14	1000231011	Handlebar Set T-3x-04-F	
15	0000093038	Pulse Sensor Set	
2	0000095661	Elastomer Set Running Deck front Nai Ri	
20	1000229317	Side Rail Set Left T-3x-04-F	
21	1000229305	Side Rail Set Right T-3x-04-F	
3	0000095662	Elastomer Set Running Deck mid Nai Ri T1	
4	0000091092	Elastomer Set Running Deck Back T1x-F	
7	0000093024	Velcro Set Motor Cover T1x-F	
8	1000350718	Motor set Semi-Assy T3x-F	
AB19	1000229310	Painting Support Plate Side Rail L BP-92	
AB20	1000229312	Painting Support Plate Side Rail R BP-92	
AG3	1000232994	Arm Rest Set Left TM523	
AG6	1000232999	Arm Rest Set Right TM523	
AH2	0000093782	Elevation Rack Set TM507-1US	
AR1	1000344224	transmission set front 116.8 JR01-AR63	
AR2	1000344328	transmission set back JR02	
AR5	0000094490	Running Belt Print TM68B 508x3275x2.5t	
B05	0000086749	Fix Plate End Cap B SPHC BED 5.0t T1x	
B25	0000089043	Rear Roller Bracket Left.B BL TM509	
B26	0000089044	Rear Roller Bracket Right.B BL TM509	
B31	1000211468	Fix Plate Power Switch SPHC 1.6t BED	
B32	0000088932	Ornament Plate Frame SPHC 1.0t BED T1x	
B33	0000089165	Clip Nut Attached Plate Elastomer SPCC 1.6t Zn Pl	
B35	000763-E	Elastomer Black 90	
B36	1000208940	Extrawork Elastomer Running Deck Nai Ri	
B37	065871-A	Washer Flat 10.2X34.0X3.0T BAN	
B38	000500-00	Leveler Frame	
B39	004284-AB	Running Deck 605X1390X25.4T Timber	

B40	0000084526	Bracket Side Rail SPHC 2.0t TM501
B41	0000095437	Nut NIK M8X1.25Px6t BZN
B42	004385-00	Screw BH M5X0.8PX12L PH BAN
B43	<b>004562-AB</b>	Screw Hex Socket Sink Stainless M8x1.25Px35L
B46	004479-00	Screw Round Hex Socket M8X1.25PX15L
B47	0000082734	Washer Senated M5.3X10X0.6 Zinc Plate
B49	004889-00	Nut Hex M5x0.8P Nickel
B51	020455-00	WASHER FLT Diam.6.2XDiam.20.0X1.0T BZN
B52	0000089800	Washer DSP 6.4X14.0X1.2T SPHC
B53	0000089153	Screw SH M6X1.0PX110L HS BAN
B55	005010-00	Washer Spring 10.75x17.2x2.16t
B57	004384-00	Screw Phillip BH M5x0.8Px30L Ni Gap
B58	005238-00	Washer Lock 8.2x16x1.25T
B59	0000084584	Screw BH M8X1.25PX20L HS BAN
B60	004376-00	Screw BH M5X0.8PX8L CT PH BZN
B61	037990-A	Electricity Wood Board 80.0x240.0x1.0t T
C11	004983-A	Insert Nut Hex NKHS-8125-2.5(M8x1.25P)
G15	0000086068	Cover Sensor Upper ABS/PA-746 MT-11010
G16	0000085274	Cover Sensor L ABS/PA-746 426C TM501
G17	0000085275	Cover Sensor R ABS/PA-746 426C TM501
G25	0000086278	Screw Phillip Round M3x0.5Px15L BED
H11	0000094653	Screw Extrawork SH M16 Polish
H13	000035-D	Transport Wheel Nylon 100 BL TM65
H14	005042-00	Washer Flat 8.2X30.0X2.0T Black Zinc
H15	<b>004757-00</b>	Screw Oval Hex Socket M8x1.25Px12L
H16	<b>005220-00</b>	Washer Wavy 20.7x29.1x.3T
H18	020378-00	Nut Hex M16x2.0Px7.8t
H19	009469-C	Bushing Pedal Arm A CS05
H61	0000093781	Washer SPL 17.3x26.3x3.0t BZN
JD08	<b>1000215746</b>	Motor Control Board 110V T3x
JM13	<b>0000086720</b>	Elevation Motor 1300LB/115V 127mm TM501
JM95	006073-C	Warning Sticker Motor Yellow/Red/Black/W
M05	038118-A	Ground Wire Motor 240L (KST RVS3-5)x2 TM



M06	004589-00	Screw Hex W3/8x47L/Tooth14L	
M09	001295-B	Insulating Sleeve Screw ABS 10.2X14/24X7L	
M12	0000094431	Fan Cooling FD128025LB DC 12V/0.1A T7000	This is not the fan that's mounted on the MCB.
M19	020478-00	Washer Flat 10.2x20.0x2.0T Black Zinc	
M20	020104-AD	Screw Hex Socket Round M10x1.5Px30L Adhe	
M21	004934-00	Nut Nylon 3/8'-16UNC	
M22	0000093962	Pin Elevation Clevis SCM440x15x65L Runner Gold	
M23	008652-A	Pin Hairpin Cotter 2x33L ZNC	
M30	1000211092	FILTER 20A 125/250V ROHS -	
M33	000885-C	Rubber Pad Motor Anti-Shake	
M35	1000227226	Washer Flat ?X10.5x?X25.0x1.0T Nylon+S2M	
M42	0000086524	Guard Fan PG-80 BLACK	
M44	004361-AB	Screw Phillip BH M4x0.7Px10L BED Gap	
M45	1000212621	Screw BH M4X0.7PX40L - PH - BZN	
M52	005023-A	Washer Spring 4.1x7.6x1.0T	
M61	005043-00	Washer Flat 8.2x20x1.5T Black Zinc	
M68	004695-AB	Screw Hex Socket Flat M8x1.25Px12L	
Not Shown	1000229355	Hardware Set TM522 T-1x-03-F	
P01	1000317845	Power Switch ON-OFF W/ Light 125V/250V 2	Discontinued
P01	1000317845	Power Switch ON-OFF W/ Light 125V/250V 2	
P02	002127-A	BS Wire 60L 12AWG Black TM86	
P03	003371-C	Power Socket CE 100+250+80+Cord TM65C	
P04	1000229078	MCB power wire 350+350+400mm T-1x-F	
P05	0000086674	Power Wire EMI Filter to Switch 200(RVS	
P06	002391-A	Ground Wire EMI Filter W/FERRITE 160L	
P07	1000209313	Circuit Breaker 20A 125V/250V RFLB-2	
P09	0000087241	Wire TV Signal 180L(GF-C075)x2 T1xe	
P11	0000089860	Cap C-SAFE NYION 6/6 BL T1x	
P14	065248-A	TV Coax Adaptor Female F-A028-NBX7-C	
P20	1000212816	EXT Wire Net Signal 180(3205615600 8P+T	
P22	1000228280	WIRE TV PWR EXT 250(SCD-554CCS103B00G+TK	

P26	004361-AB	Screw Phillip BH M4x0.7Px10L BED Gap	
P27	001682-00	Clip Tie Strap Hold Down HC-0L P	
P28	0000094428	Power Cord Set 10' NEMA (90 unit, 180 outlet)	NEMA (90 unit, 180 outlet)
P28	1000229192	POWER CORD SET 10-ft NEMA (90 Unit, 90 Outlet)	NEMA (90 unit, 90 outlet) 15 foot NEMA. 180 degrees at the outlet, and 90 degrees at the unit.
P28	0000094429	Power Cord Set 15-ft NEMA (90 unit, 180 outlet)	
P29	0000093219	Jacket PVC A5X-03-F US EP79	
P50	056225-A	Ferrite PART OF #79 CABLE NOT ORDERABLE	
Q01	0000087367	Motor Cover Upper	Order nameplate V05 separately as needed
Q03	1000229307	End Cap left ABS/PA746 80435 T-3x-04-F	
Q04	1000229308	End Cap right ABS/PA746 80435 T-3x-04-F	
Q06	1000366832	Cushion Side Rail SBR	
Q13	015139-AA	Fix Plate Velcro	
Q21	020096-00	Screw Hex Socket Round M8x1.25Px15L Chromed	
Q22	059633-A	Screw Hex Socket Round M5x0.8Px15L	
Q23	020351-A	Screw Phillip Sink Tapped 3x12L	
Q24	005079-00	Washer Flat 5.2X12X1.0T Black Zinc	
R03	1000340397	Belt POLY-V 250-J12 Halftone GATES	
R51	004496-00	Screw Hex Socket Round M10x1.5Px90L	
R53	004481-00	Screw Hex Socket Round M8x1.25Px45L	
R54	005044-00	Washer Flat8.3x16x1.3T Black Zinc	
R55	005014-00	Washer Spring 8.0x17.0x1.5T	
U06	0000080168	SCREW BH M8X1.25PX12L HS BAN BP	
U10	005362-00	C-Clip External S-16	
U15	0000085361	Screw Hex Socket Round M8x1.25Px20.0L Ad	
U16	005045-00	Washer Flat 8.2x22x3.0T	
U18	005238-00	Washer Lock 8.2x16x1.25T	
U19	0000093913	SPRING ?X2.5X?X20X13NX63.0L SWPB OIL	
V01	1000346763	Decal Console Mast Gray TM501-US	
V05	0000086226	Nameplate Motor Cover LOGO T5X-02	

Z11	004539-AD	Screw Round Hex Socket M8X1.25PX25L Chromed	
Z12	005145-AC	Washer Flat 8.2x19.0x2.0T Chromed	
Z14	004538-00	Screw Hex Socket Round M8X1.25PX20L(Chromed)	
Z15	004859-AC	Screw BH M8X1.25PX20L HS CHM	
Z18	004763-00	Screw Hex Socket BH M8x1.25Px16L Adhere	
10	Order parts separately	MOTOR COVER SET INCLUDE NAMEPLATE T1x-F	
AB8	N/A	Frame Set painting BP-920S MATRIX/SL/GY	Discontinued
AC3	Part of Kit 12	Painting Console Mast L BP-920S T1x	
AC4	Part of Kit 13	Painting Console Mast R BP-920S T1x	
AG5	Part of Kit 14	Extrawork Grip BL T3x	
AU3	Part of Kit 1	Roller Set Rear Idler T7000 PRO	
G23	Part of Kit 14	WIRE PULSE SENSOR LEFT 500L H6630R1-1X3	
G24	Part of Kit 14	WIRE PULSE SENSOR RIGHT 500L H6630R1-1X3	
JM93	N/A	MARKING MOTOR MULTICOLOR OTHER FRONT MAT	Discontinued
M01	Part of Kit 8	Motor Set No Reedback AC 3HP/230V/6.5A T	
M04	Part of Kit 8	Flywheel Motor FC20 190 TM65C	
M36	Part of Kit 8	Key Round Dual-End 6x6x35L	
P13	N/A	GROMMET NYLON WHT	Discontinued
Q02	Part of Kit 20	Side Rail Left PVC 80435/137C T-3x-04-F	
Q05	Part of Kit 21	Side Rail Right PVC 80435/137C T-3x-04-F	
U01	Part of Kit 1	Plate Idler SPHC 2.0t T7000 PRO	
U03	Part of Kit 1	Axle Idler SS400D 17x51.7L T7000 PRO	
U07	Part of Kit 1	BEARING DRY WFM-1618-09 JT7000 IGS	
13	0000091090	Console Mast Set Right T1x-F	Discontinued - Discontinued
8	<b>1000207849</b>	Motor Set with Elastomer T3x-F	Discontinued
AR1	<b>1000200206</b>	Roller Set Front 116.6 JR01-AR62	Discontinued
AR2	009811-C	Roller Set Rear 75.7x616L JR02	Discontinued
AR2	<b>009811-CB</b>	Rear Roller Set 75.7x616L	Discontinued
B51	020455-Z	Washer Flat 6.2x20.0x1.0t	Discontinued - Discontinued
M30	003530-A	EMI Wave Filter 115V/250V/20A	Discontinued

P01	018612-A	Power Switch	Discontinued - Discontinued
P28	066055-A	Power Cord 15' NEMA (USA 110V) 4500,12AWG(T	Discontinued - Longer power cord
P28	1000229196	Power Cord 10' NEMA (90 Unit, 90 Outlet) External Power Wire(Thailand) Thailand LT-\\ D/C, NO REPL: Part will show as orderable until stock is depleted.	Discontinued - NEMA (90 unit, 90 outlet)
P28	058614-B	Elastomer Side Rail 1 PVC \\ D/C, NO REPL: Part will show as orderable until stock is depleted.	Discontinued
Q06	0000085162	Velcro Both Sides 50x50mm TM65	Discontinued - Discontinued
Q12	001540-B	Label Console Mast TM501	Discontinued
V01	0000084572		